

---

Technical Sheet

# **MLA 6-65 H-Z**

Articulated Loaders

---



DIMENSIONS	CANOPY	CAB	
	A. Length with Bucket on Ground (mm)	199.9" (5077)	
	B. Shipping Length (mm)	167.7" (4260)	
	C. Front Wheel Center to Pivot Pin (mm)	32.8" (833)	
	D. Wheelbase (mm)	79" (2007)	
	E. Rear Overhang (mm)	52.2" (1326)	
	F. Height to Top of Cab (mm)	97.1" (2467)	
	H. Hood Height (mm)	69.9" (1775)	
	J. Maximum Operating Height (mm)	157.8" (4008)	
	K. Bucket Hinge Pin Height (mm)	130.5" (3315)	
	L. Ground Plane to Bucket Edge Height (mm)	123" (3125)	
	M. Dump Clearance at Full Height (mm)	99" (2515)	
	N. Dump Reach at Full Height (mm)	20.9" (529)	
	P. Width over Tires - Narrow / Wide (mm)	64.7" / 79.4" (1645 / 2017)	
	Q. Tire Gauge	48.4" / 62.8" (1230 / 1595)	
	R. ROPS Width (mm)	53.9" (1370)	
	S. Ground Clearance (mm)	14.6" (370)	
T. Turning Radius with Bucket (mm)	143.2" (3637)		
U. Outer Turning Radius (mm)	130.3" (3310)		
V. Inner Turning Radius (mm)	62.1" (1577)		
W. Articulation Angle from Center (mm)	45°		
X. Rollback at Height	45°		
Y. Maximum Dump Angle at Full Height	45°		
Z. Bucket Rollback at Ground	45°		
AA. Attachment Pivot Clearance (mm)	7.5" (190)		
BB. Wheel Radius (mm)	19.5" (495)		
CC. Bucket Width - standard (mm)	66" (1676)		

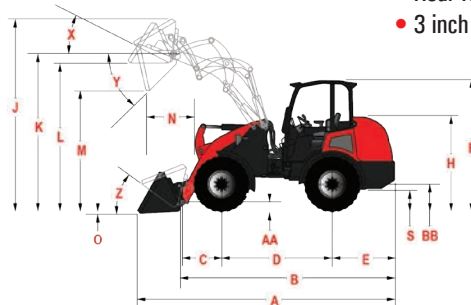
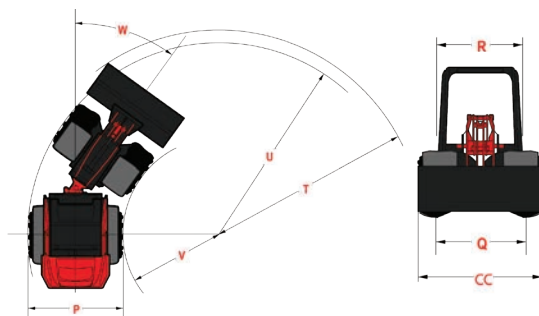
ENGINE	
Engine Manufacturer	Yanmar
Model / Number of Cylinders	4TNV98CT / 4
Displacement (L)	0.87 gal. (3.3 L)
Power (kW) @ 2300 rpm <sup>1</sup>	64.4 hp (48)

CAPACITIES		
Static Tipping Load with Bucket - Straight (kg)	6,409 lbs. (2907)	6,743 lbs. (3059)
Static Tipping Load with Bucket - Full Turn (kg)	4,917 lbs. (2230)	5,244 lbs. (2379)
Static Tipping Load with Pallet Forks - Straight (kg)	4,980 lbs. (2259)	5,302 lbs. (2405)
Static Tipping Load with Pallet Forks - Full Turn (kg)	3,921 lbs. (1778)	4,157 lbs. (1885)
Bucket Breakout (kg)	12,661 lbf (5743)	12,661 lbf (5743)
Operating Weight (kg)	9,150 lbs. (4150)	9,500 lbs. (4309)

HYDRAULICS	
Work Hydraulic System Flow (L/min) STD	18.4 gpm (69.5)
High-Flow Auxiliary Hydraulics - optional (L/min)	25.6 gpm (96.9)
Work Hydraulic System Pressure (bar)	2,900 psi (200)
Drive Hydraulic System Pressure (bar)	6,092 psi (420)
Drive Hydraulic Reservoir Capacity (L)	19.5 gal. (73.8)

OTHER	
Battery	12-volt
Fuel Tank Capacity (L)	25 gal. (95)
Maximum Travel Speed (km/hr)	7/12/19 mph (11/20/30)
Tire Size - Standard	405 / 70-20
405 / 70 - 20 14 Ply MPT03	64.7 / 79.4 (1645 / 2017)
405 / 70R20 Radial Industrial Tires	64.7 / 79.4 (1645 / 2017)
500 / 45 - 20 Flotation 16 Ply Bias Tires	70.4 / 79.2 (1788 / 2012)
600 / 40 - 22.5 Flotation Bias Tires	-

<sup>1</sup> per ISO14396



### STANDARD FEATURES

- 4-Post Canopy ROPS and FOPS Certified
- Proportional Auxiliary Hydraulics with Case Drain and Circuit Pressure Dump
- Hydrostatic 2-Speed Transmission
- Load Arm Float Detent
- Inching Pedal
- Electronic Hand Throttle
- Digital Display with Audible and Visual Indicators
- Steering Column with Tilt and Extension Adjustments
- Cup Holder
- Differential Lock (Hydraulically Activated Front and Rear)
- Oscillating Front Frame
- Rubber Floor mat
- Power-A-Tach® Attachment Mounting System (EuroStyle, 4-Point & Skid Steer)
- Adjustable Arm Rest
- Seven-Way Adjustable Seat
- 12-Volt Socket in Arm Rest
- Telescopic Lift Arm With Z-Bar Bucket Linkage & Mechanical Self-Level
- Multi-Function Joystick
- Lift / Tilt Electronic Lockout Switch
- Reverse and Brake Tail Lights
- Master Electrical Disconnect Switch
- Articulation Locking Bar (conforms to SAEJ276)
- Horn
- Side View Mirrors
- Front, Rear & Boom Worklights

### OPTIONAL FEATURES

- 4-Post Canopy with Front and Rear Windows
- Cabin with Heat or Heat and Air Conditioning
- 3-Speed - 5 / 12 / 19 mph (8 / 20 / 30 km/hr)
- Seven-Way Adjustable Air Suspension Seat with or without Sewn Cushions
- LED Work Lights
- Speed Control
- Back-up Alarm
- Hydraglide™ Ride Control
- Rear Auxiliary Hydraulics
- Additional Set of Front Auxiliary Hydraulics
- High-Flow Auxiliary Hydraulics
- Radio (Bluetooth Hands-Free)
- Rotating Beacon
- Strobe Light
- Lockable Tool Box
- Engine Block Heater
- Front and Rear 12-Volt Electric Auxiliary
- License Plate Holder
- Electric Attachment Control 14-Pin Harness with Switches
- Rear Hitch - Clevis or Receiver
- 3 inch (75 mm) Seatbelt



MANITOU NORTH AMERICA LLC

• PO Box 179 • West Bend, WI 53095

Tel: 262-334-9461 • Fax: 262-338-7517 • www.manitou.com

©2019 Manitou North America LLC. All rights reserved.  
Printed in the U.S.A. A Manitou Group Brand.

MLA 6\_SpecSheet\_11/19

This publication in no way constitutes an offer and the company reserves the right to alter specifications without notice.