

---

Technical sheet

# **MLT 630-105 V CP**

Telescopic Loader

---

*NEWAG*

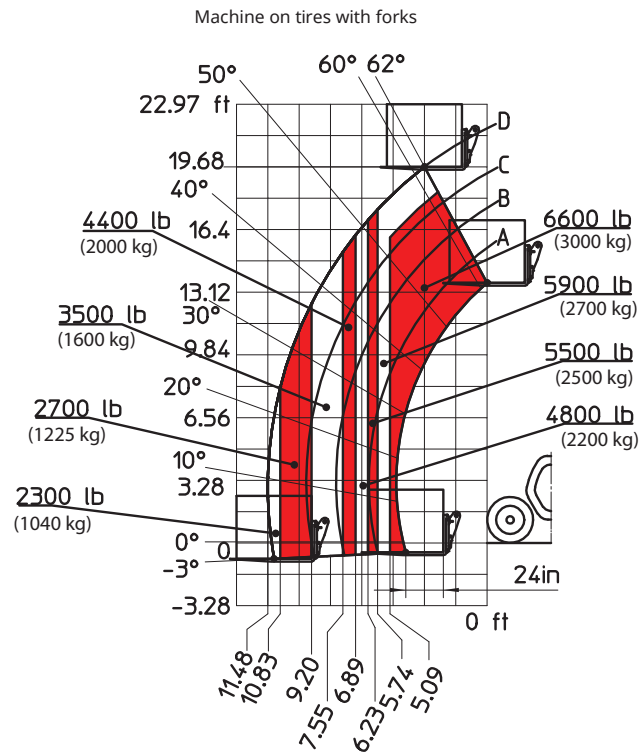


 **MANITOU**  
HANDLING YOUR WORLD

Capacities	Metric	Imperial
Max. capacity	3000 kg	6,600 lbs
Max. lifting height	6 m	19 ft 8 in
Max. outreach	3.43 m	11 ft 3 in
Weight and dimensions		
Unladen weight (with forks)	6760 kg	14,903 lbs
m4 - Ground clearance	0.28 m	11 in
l2 - Overall length to carriage (with hitch)	4.78 m	15 ft 8 in
y - Wheelbase	2.69 m	8 ft 9 in
b4 - Overall width of cab	0.95 m	3 ft 1 in
b1 - Overall width	2.06 m	6 ft 9 in
h17 - Overall height	2.14 m	7 ft
a4 - Crowd angle	13 °	13 °
a5 - Dump angle	133 °	133 °
Wa1 - External turning radius (over tires)	3.65 m	11 ft 11 in
Standard tires	400/70 R20	400/70 R20
Performances		
Lifting	6.50 s	6.50 s
Lowering	5 s	5 s
Extension	5.40 s	5.40 s
Retraction	3 s	3 s
Crowd	3.40 s	3.40 s
Dump	2.70 s	2.70 s
Engine		
Brand	Deutz	Deutz
Environmental norm	Stage IV / Tier 4 Final	Stage IV / Tier 4 Final
Model	TCD 3.6 l	TCD 3.6 l
Number of cylinders - Cubic capacity	4 - 3621 cm <sup>3</sup>	4 - 221 in <sup>3</sup>
Power	101 hp / 74.40 kW	101 hp / 74.40 kW
Max. torque	410 Nm at 1600 rpm	302 ft.lbs at 1600 rpm
Laden drawbar pull	6540 daN	14,702 lbf
Reversible fan	Standard	Standard
Cooling system	3 radiators (water + intercooler + hydraulic oil)	3 radiators (water + intercooler + hydraulic oil)
Transmission		
Type	M-Varioshift	Hydrostatic
Number of gears (forward/reverse)	2/2	2/2
Max. travel speed (may vary according to applicable regulations)	38 km/h	24 mph
Differential lock	Limited slip differential on front axle	Limited slip differential on front axle
Parking brake	Manual parking brake	Manual parking brake
Service brake	Hydraulic oil immersed multi-disc braking on front axle	Hydraulic oil immersed multi-disc braking on front axle
Hydraulics		
Hydraulic pump type	Gear pump	Gear pump
Hydraulic flow - Pressure	104 l/min - 250 bar	27.47 gpm - 3625.94 psi
Tank capacities		
Hydraulic oil	94 L	25 US gal.
Fuel	120 L	31.7 US gal.
Diesel Exhaust Fluid (AdBlue® type)	13 L	3.50 US gal.

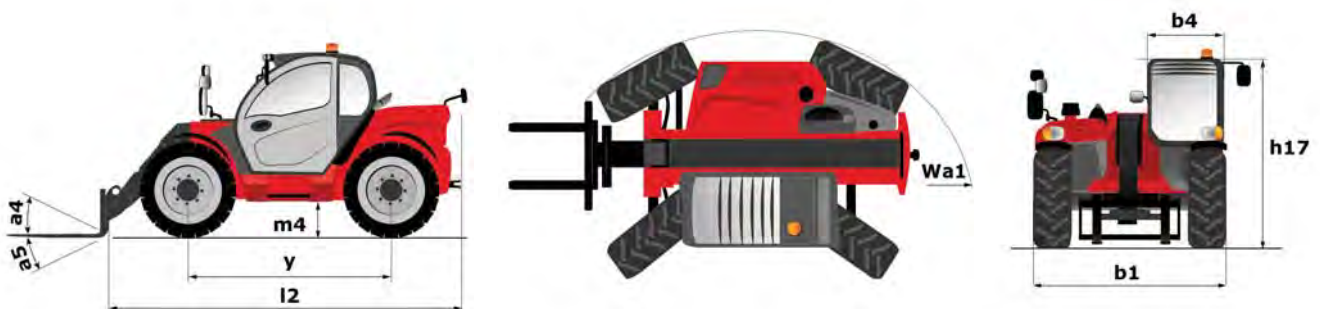
Noise & vibration		
Noise at driving position (LpA) tested following NF EN 12053 norm	74 dB(A)	74 dB(A)
Environmental noise LwA	105 dB(A)	105 dB(A)
Vibration to whole hand / arm	<2.5 m/s <sup>2</sup>	<8.2 ft/s <sup>2</sup>
Miscellaneous		
Safety	Tractor homologation EN 15000 Norm Cab ROPS - FOPS Level 2	Tractor homologation EN 15000 Norm Cab ROPS - FOPS Level 2

## Load chart



Rough terrain load chart (EN 1459 B)

## Dimensional drawing



## Options / Finishing

S : Standard / O : Optional / - : Not available

General	
Self cleaning air prefilter	S
Auto reversing fan	S
Boom suspension "Active CRC"	S
Hand throttle	S
Automatic wheel alignment	S
Additional fuel tank (42 l)	S
Manual rotating towing hitch on counterweight	S
Comfort	
Low frequency air suspension cloth seat (GRAMMER)	S
Bluetooth car radio with extra microphone (100 W)	S
Air conditioning with automatic adjustment	S
"Vision" display	S
Hydraulic	
Easy Connect System (ECS)	S
Continuous flow hydraulics	S
Attachment hydraulic locking	S
Return pipe to hydraulic oil tank	O
Electrovalve for 2 hydraulic functions (on boom head)	O
Hydraulic trailer brake	S
Electricity / Safety	
Audio warning on reverse movements	S
Front and rear LED work lights (x4 : 2 front + 2 rear)	S
Extra front wiper	S
Electric mirror with de-icing	S
LED work lights on boom head	S



Manitou North America, LLC.  
 • PO Box 179 • West Bend, WI 53095  
 Tel: 262-334-9461 • Fax: 262-338-7517  
[www.manitou.com](http://www.manitou.com)



This brochure describes versions and configuration options for Manitou products which may be fitted with different equipment. The equipment described in this brochure may be standard, optional or not available depending on version. Manitou reserves the right to change the specifications shown and described at any time and without prior warning. The manufacturer is not liable for the specifications given. For more information, contact your Manitou dealer. Non-contractual document. Product descriptions may differ from actual products. List of specifications is not comprehensive. The logos and visual identity of the company are the property of Manitou and may not be used without authorization. All rights reserved. The photos and diagrams contained in this brochure are provided for information only.  
 MANITOU BF SA - Limited company with board of directors - Share capital: 39,547,824 euros - 857 802 508 RCS Nantes