
Technical sheet

MLT 737-130 PS+

Telescopic Loader

NEW AG



 **MANITOU**
HANDLING YOUR WORLD

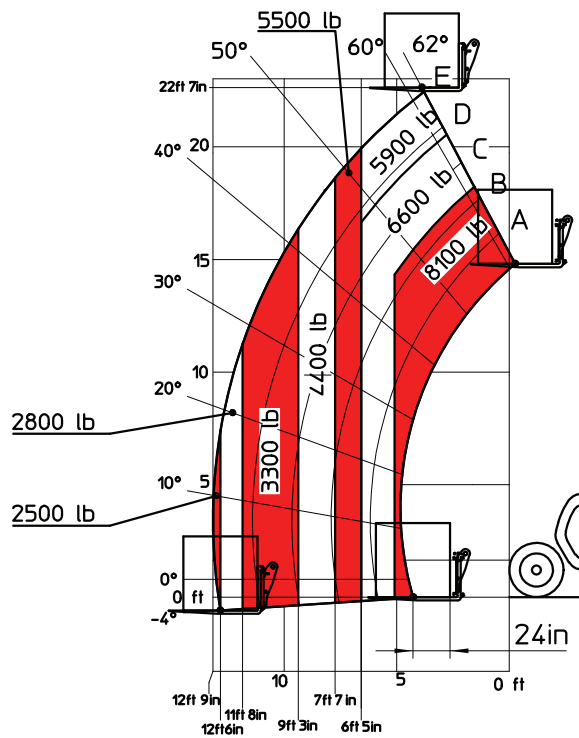
Capacities	metric	imperial
Max. capacity	3700 kg	8,100 lbs
Max. lifting height	6.90 m	22 ft 7 in
Max. outreach	3.90 m	12 ft 9 in
Reach at max. height	1 m	3 ft 3 in
Weight and dimensions		
Unladen weight (with forks)	7700 kg	16,976 lbs
m4 - Ground clearance	0.41 m	16 in
l2 - Overall length to carriage	4.97 m	16 ft 3 in
y - Wheelbase	2.81 m	9 ft 2 in
b4 - Overall width of cab	0.95 m	3 ft 1 in
b1 - Overall width	2.39 m	7 ft 10 in
h17 - Overall height	2.38 m	7 ft 9 in
a4 - Crowd angle	12 °	12 °
a5 - Dump angle	134 °	134 °
Wa1 - External turning radius (over tires)	3.92 m	12 ft 1 in
Standard tires	460/70 R24 159A8 A580 - Alliance	460/70 R24 159A8 A580 - Alliance
Performances		
Lifting	7.60 s	7.60 s
Lowering	5.40 s	5.40 s
Extension	7.80 s	7.80 s
Retraction	5.90 s	5.90 s
Crowd	3.80 s	3.80 s
Dump	3 s	3 s
Engine		
Brand	Deutz	Deutz
Environmental norm	Stage IV / Tier 4 Final	Stage IV / Tier 4 Final
Model	TCD 3.6 l	TCD 3.6 l
Number of cylinders - Cubic capacity	4 - 3621 cm ³	4 - 220 in ³
Power	129 hp / 95 kW	129 hp / 95 kW
Max. torque	500 Nm at 1600 rpm	399 ft.lbs at 1600 rpm
Laden drawbar pull	7900 daN	-
Reversible fan	Standard	Standard
Cooling system	4 radiators (water + intercooler + hydraulic oil + transmission oil)	4 radiators (water + intercooler + hydraulic oil + transmission oil)
Transmission		
Type	Torque Converter with Powershift Plus gearbox	Torque Converter with Powershift Plus gearbox
Number of gears (forward/reverse)	6/3	6/3
Max. travel speed (may vary according to applicable regulations)	40 km/h	25 mph
Differential lock	Limited slip differential on front axle	Limited slip differential on front axle
Parking brake	Manual parking brake	Manual parking brake
Service brake	Hydraulic oil immersed multi-disc braking on front & rear axles	Hydraulic oil immersed multi-disc braking on front & rear axles
Hydraulics		
Hydraulic pump type	Load sensing pump	Load sensing pump
Hydraulic flow - Pressure	150 l/min - 270 bar	39.6 gpm - 3916 psi
"Flow sharing" distributor	Standard	Standard
Tank capacities		
Hydraulic oil	135 l	36 US gal.
Fuel	120 l	32 US gal.
Diesel Exhaust Fluid	10 l	3 US gal.

Noise & vibration		
Noise at driving position (LpA)	73 dB	73 dB

Tire options

Optional tires	Overall machine height	Overall machine width
Michelin - 500/70 R24 164A8 Bibload	2.39 m	2.44 m

Load chart



Dimensional drawings



Options / Finishing

S : Standard / O : Optional / - : Not available

General	
Self cleaning air prefilter	S
Auto reversing fan	S
Boom suspension "Active CRC"	S
Hand throttle	S
Automatic wheel alignment	S
Additional fuel tank (25 l)	O
Manual rotating towing hitch on counterweight	S
Comfort	
Low frequency air suspension cloth seat (GRAMMER)	S
Bluetooth USB car radio with extra microphone (100 W)	S
Air conditioning	S
"Vision" display	S
Hydraulic	
Easy Connect System (ECS)	S
Continuous flow hydraulics	S
Attachment hydraulic locking	S
Return pipe to hydraulic oil tank	O
Electrovalve for 2 hydraulic functions (on boom head)	O
Hydraulic trailer brake	S
Intelligent Hydraulics	S
Regenerative Hydraulics	S
Electricity / Safety	
Audio warning on reverse movements	S
Front and rear LED work lights (4 : 2 front + 2 rear)	S
Lateral wiper	S
Extra front wiper	S
Boom-mounted LED work lights (x2)	S



Manitou Americas, Inc.
 • PO Box 179 • West Bend, WI 53095
 Tel: 262-334-9461 • Fax: 262-338-7517
www.manitou.com



This brochure describes versions and configuration options for Manitou products which may be fitted with different equipment. The equipment described in this brochure may be standard, optional or not available depending on version. Manitou reserves the right to change the specifications shown and described at any time and without prior warning. The manufacturer is not liable for the specifications given. For more information, contact your Manitou dealer. Non-contractual document. Product descriptions may differ from actual products. List of specifications is not comprehensive. The logos and visual identity of the company are the property of Manitou and may not be used without authorization. All rights reserved. The photos and diagrams contained in this brochure are provided for information only.

MANITOU BF SA - Limited company with board of directors - Share capital: 39,547,824 euros - 857 802 508 RCS Nantes