

9800 SINGLE DISC DRILL

The Newest Drill Technology In Two Decades

Some have already referred to the Sunflower 9800 Single Disc Drill as a “speed drill” due to its unique ability to seed at a higher speed —without creating uneven seed rows — than any competitive model on the market. However, you may just want to call it “extremely versatile.” Whether you run it fast or slow; in no-till, minimum-till or conventional till; flat ground or on a slope, the Sunflower 9800 works well in all conditions.

Available in seeding widths from 30’ to 50’, the 9800 is the one air drill that will provide maximum productivity in any environment.



SF9830-30 / SF9920-280

1. HEAVY-DUTY FRAME - Like all Sunflower machines, the 9800 features an all-welded, box-beam frame for maximum durability and the necessary weight to operate in any soil and residue condition.

2. STANDARD WALKING TANDEMs - Walking tandem axles are standard on the main frame and all large wings to minimize uneven

penetration, while providing the necessary support and flotation in the field and on the road.

3. HYDRAULIC DOWN PRESSURE - Hydraulic down pressure ensures uniform downforce across the full width of the drill, as well as through the entire range of motion of the tool bars. An active hydraulic circuit, operated

though a cab-mounted control, allows the operator to change the down pressure on the go to match widely changing conditions in the field.

4. EASY FRAME LEVELING - Screws on each wing frame section allow the operator to raise or lower each wing section to attain uniform seeding depth across the full width of the unit.

9800 GRAIN DRILL SPECS

MODEL NUMBER	NO. OF WIDTHS	ROW SPACING	NO. OF SECTIONS	WORKING WIDTHS (m)	TRANSPORT WIDTH (m)	TRANSPORT HEIGHT (m)	EST. WT. EMPTY (kg)	TRACTOR REQUIREMENT
9830	3	6-9 (15-23) Paired Row	3 or 5	30' to 50' (9.1 to 15.2)	14'-3" to 21'-6" (4.3 to 15.2)	14' to 17'-10" (4.4 to 5.4)	21,200 to 39,000 lbs. (9616 to 17690)	210 - 360 hp

Note: Above specifications may vary slightly based on tires, hydraulic system, or other possible variances. We are continually striving to improve our machines; therefore, these specifications are subject to change without notice.



1



2



3



4

9900 AIR CART

Strength, versatility and simplicity in three options

Built to Sunflower’s high quality and reliability standards, the Sunflower 9900 Air Car is the perfect complement to the 9800 Single Disc Air Drill. Fact is, the combination not only creates the industry’s most accurate seeding machine, but it provides the versatility to efficiently meet the needs of virtually any farming practice.

Sunflower - The Ultimate Answer

1. VERSATILE LOAD AND UNLOAD AUGER - An 8” auger on 9920 models and a 10” auger on 9930 models allows quick and easy loading and unloading. Both augers are double hinged for exceptional balance, allowing one-man loading and unloading; and both feature hydraulic drive powered by oil from the blower hydraulics.

2. ISOBUS COMPLIANT - ISOBUS compliance, which meets ISO 11783 standards, allows the 9900 Air Cart to be controlled and monitored with any ISOBUS-compatible virtual terminal, including those built into most late model tractors. It also provides compatibility with all mapping and variable-rate seeding technologies.

9900 AIR CART SPECS

MODEL NUMBER	WORKING HEIGHT (m)	WORKING WIDTH (m)	WEIGHT EMPTY (kg)	FILL HEIGHT (m)
9920	12'-8" to 13'-4" (3.9 to 4.1)	11'-5" (3.5)	8,500 to 8,750 lbs. (3856 to 3946)	11'-2" to 11'-8" (3.4 to 3.6)
9930	17' (5.2)	16'-6" (4.9)	15,750 lbs. (7144)	11'-9" (3.6)

Note: Above specifications may vary slightly based on tires, hydraulic system, or other possible variances. We are continually striving to improve our machines; therefore, these specifications are subject to change without notice.



3. FOUR DIFFERENT ROLL OPTIONS - A choice of four meter roll options — all constructed of stainless steel for lifetime performance — is available to meet your specific cropping program. Equipped with eight 1/2” deep bars, the high-capacity roll is suitable for most applications. The medium-capacity roll has twelve 1/4” deep bars and is used on smaller machines or for consistently lower seeding or fertilizing rates. Finally, the low-volume roll is ideally suited for sunflowers, while the canola roll has a pattern of shallow depressions for very low seeding rates.

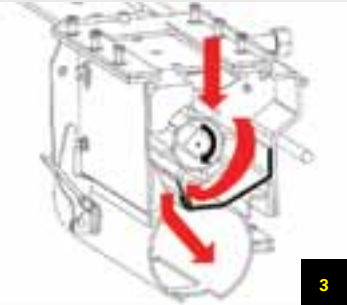
4. GROUND-DRIVE OR VARIABLE-RATE METERS - Choose between ground-drive and variable-rate hydraulic drive on all models. A magnetic clutch on ground-drive models permits automatic disengagement and engagement when the drill is raised and lowered, while the electric-over-hydraulic technology on the variable-rate drive system allows the operator to control the meter speed independent of ground speed. The variable-rate drive also provides the potential to apply product to a prescription map using GPS.



1



2



3



4